

Stand Phototherapy

Model:023



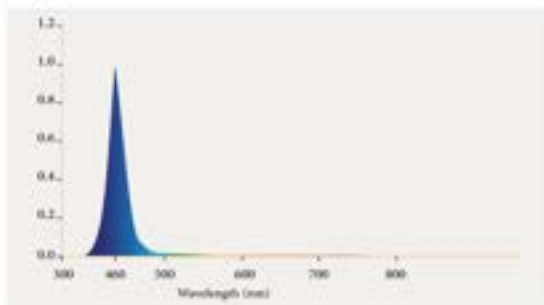
Stand Phototherapy 0231

Convenient, safe, reliable

Neonatal jaundice is a strain for both new born babies and their parents, especially in the first few days of life. A prompt therapy with shortwave, blue radiation can prevent damage to the central nervous system and ease symptoms of jaundice, thus relieving stress for everyone involved. Stand Phototherapy LED is the outcome of a continuous product development within phototherapy, keeping in mind both the babies' health and nursing staff's needs. This assures a high performance device which is simultaneously improving the nursing situation.

The apparatus by light radiation in wavelength 460 nananometer thorough infant skins in different and special process causes bilirubin molecule which leads to infant jaundice to be broken and evacuated through kidneys. Needed light with 460 nm wavelength by the LED lamp that have high longevity. The treatment of infant jaundice is done by light radiation in 460 wavelengths through infant skins. In this case the Tosan Company have designed Stand phototherapy which radiate light through infant skins consequently. In Stand Phototherapy the time of light therapy is adjustable. Effective lifetime light for treatment has been also measured in this apparatus.

The apparatus includes 4 LED lamps with wavelength effective in treatment of jaundice. Infants with the bilirubin under 18 mg could be easily treated by this apparatus.

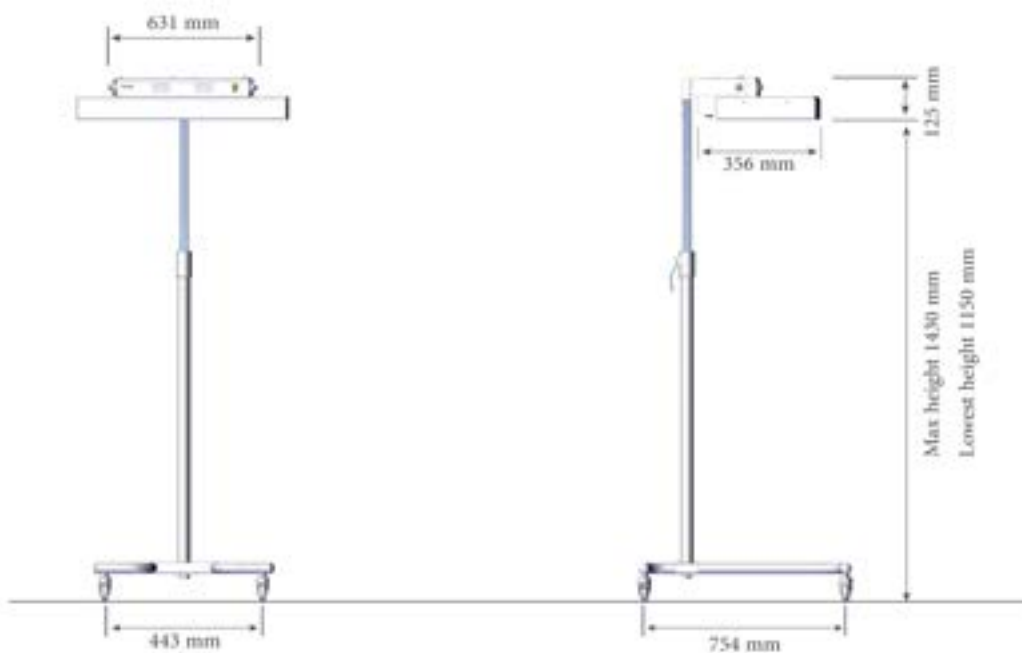


High-performance phototherapy

The radiant warmer can optionally be upgraded with high performance phototherapy. The Tosan LED Phototherapy assures remarkably high radiation intensities within the ideal wavelength of fixed 460 nm, 12 watts power also a lifespan of 30,000 hours which provided $32\mu\text{w}/\text{cm}^2\cdot\text{nm}$ intensity. It herby is suitable for treatment of infant jaundice below 18 mg/dL. It will be put on a mobile stand for a more flexible use. Because of the low heat generation, the device can also be used at decreased distances from the babies. Even with high distance between phototherapy device and patient, a high intensity can be guaranteed.

Additional Specification

Dimensions and weight	Weight	21.3 Kg
	Exposure angle	45 Degree
Alarms	End of treatment time	Audible
Electrical parameters	Voltage	200-ACV- 50 Hz - 1.5A
		1100 W
Classification according to Directive 93/42/EEC		



Head Office: First south floor, Chehelsotoon Building, north Allameh, Saadat Abad, Tehran, IRAN

Telephone: (+98-21)72965000

Fax: (+98-21) 22362814

Web: www.tosanco.com
E-mail: info@tosanco.com



Manufacture & Supply of Neonatal System

Infant Baby Bed

Model:033



Infant Baby Bed 033

Convenient, safe, reliable

Infant bed model 033 is specifically designed for infants in hospital. The clear partition of each side of the bed makes it easier for the nurse to observe and watch the infant from a short distance. In addition, the bed is very easily maneuvered because of the wheels on each side and the infant is at reaching distance. Furthermore, the base of the bed can adjust to a 12-degree angle.



Tilting patient pad

During care, it is important the base of the bed can adjust. The Tosan infant base bed can adjust to a 12-degree angle.

Pulled out patient pad

For special treatments, the patient pad can be pulled out completely.



Built in convenient storage

During care, it is important to have necessary items available at all times. The one basket of the infant bed is accessible easily from front sides and in every situation.



Castors

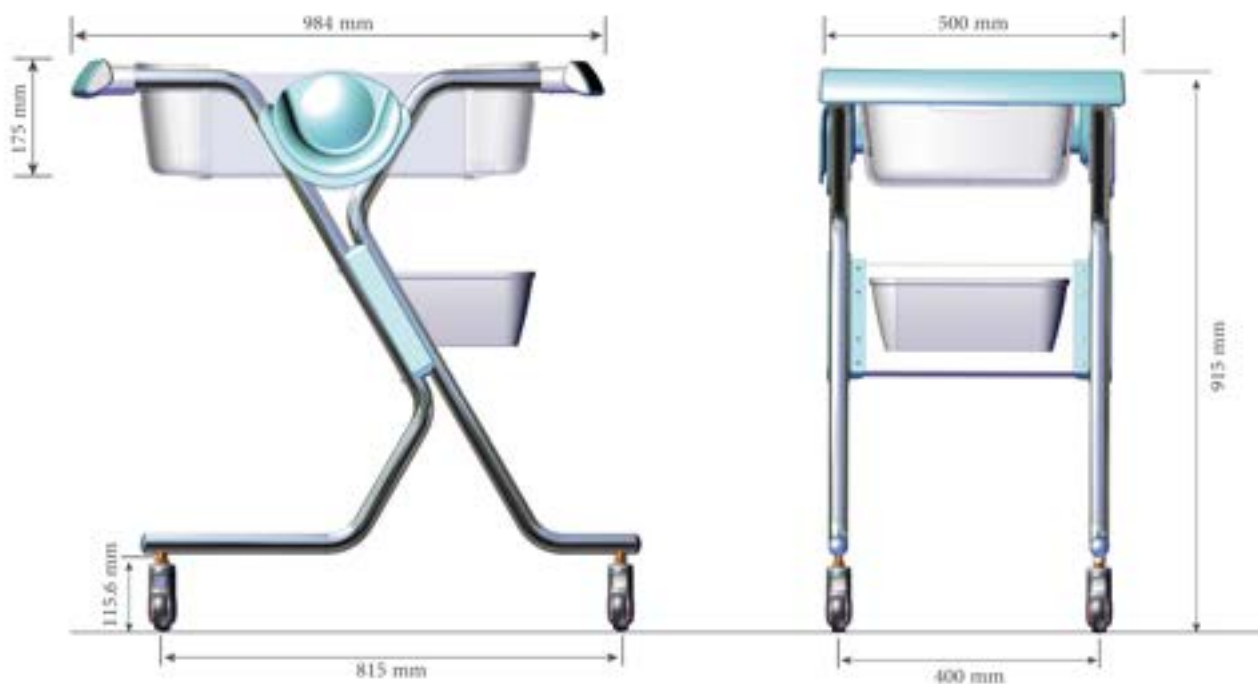
Sturdy smooth castors provide a stable position of the infant baby bed and allow easy movement. Two castors are fitted with a lock.

Infant Baby Bed 033

Convenient, safe, reliable

Additional Specification

Dimensions and weight	Dimension of patient deck	66 * 30 Cm
	Height of patient deck	17.5 Cm
	Weight	15.5 Kg
	Lenght	98.4 Cm
	Width	50 Cm
	Height	91.5 Cm
Available Option	Basket	
Classification according to Directive 42/93/EEC		



Head Office: First south floor, Chehelsotoon Building, north Allameh, Saadat Abad, Tehran, IRAN

Telephone: (+98-21)72965000
Fax: (+98-21) 22362814

Web: www.tosanco.com
E-mail: info@tosanco.com



Manufacture & Supply of Neonatal System

Home Phototherapy

Model:0271



Infant Home Phototherapy

Convenient, safe, reliable

Neonatal jaundice is a strain for both new born babies and their parents, especially in the first few days of life. A prompt therapy with shortwave, blue radiation can prevent damage to the central nervous system and ease symptoms of jaundice, thus relieving stress for everyone involved. Home Phototherapy LED is the outcome of a continuous product development within phototherapy, keeping in mind both the babies' health and nursing staff's needs. This assures a high performance device which is simultaneously improving the nursing situation.

The apparatus by light radiation in wavelength 460 nmnanometer thorough infant skins in different and special process causes bilirubin molecule which leads to infant jaundice to be broken and evacuated through kidneys. Needed light with 460 nm wavelength by the LED lamp that have high longevity.The treatment of infant jaundice is done by light radiation in 460 wavelengths through infant skins. In this case the Tosan Company have designed Home phototherapy which radiate light through infant skins consequently. In Homephototherapy the time of light therapy is adjustable. Effective lifetime light for treatment has been also measured in this apparatus.

The apparatus includes 4 LED lamps with wavelength effective in treatment of jaundice. It is portable because of having movable stands and special bag moreover the treatment could be done at home near the mother with the administration of the physician. Infants with the bilirubin under 18 mg could be easily treated by this apparatus. The advantage of this apparatus is that fewer hospital beds would have been occupied because the treatment is done near mother at home.

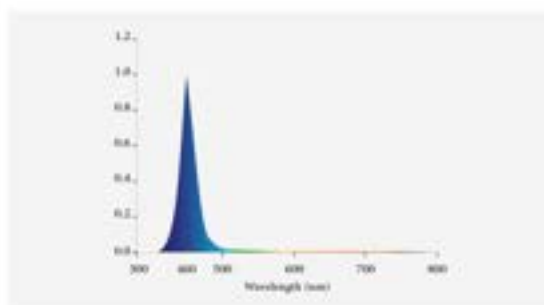


Control Panel

Innovative technology controls and monitors the selected values of Treatment time. The selected parameters and measured values are indicated and clearly structured with a display.

Control panel enables you to display the following parameters:

- Treatment time
- LED lifetime



High-performance phototherapy

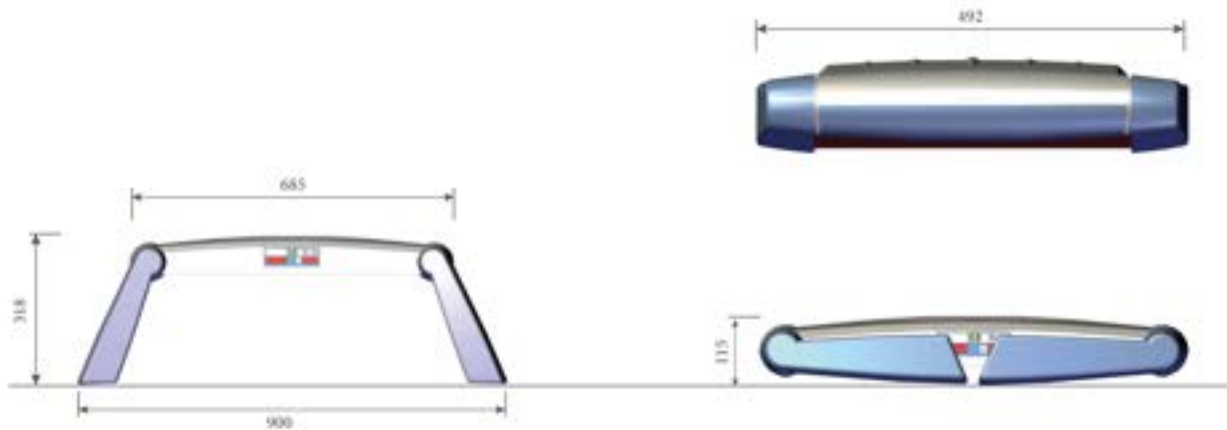
The Home Phototherapy with high performance phototherapy. The Tosan LED Phototherapy assures remarkably high radiation intensities within the ideal wavelength of fixed 460 nm also a lifetime of 30,000 hours which provided 32µw/cm2.nm intensity. It herby is suitable for treatment of infant jaundice below 18 mg/dl.

Automated therapy

Tosan Home phototherapy operated in automated mode. It is possible to choose the therapy's duration and intensity, thus it is not necessary to turn the device on and off manually. Once the therapy duration runs out, Tosan phototherapy stops the therapy automatically.

Additional Specification

Weight	Weight	6 kG
Alarms	Fan failure	Audible
	End of treatment time	Audible
Operating parameters	LED tube	4
	Code of LED	T8-600B02
	Digital display	
	Timer for measuring the effective life of the lamps	
	Treatment time measuring	
	Exposure angle	45°
Inside ventilation	Fan for internal air ventilation & cooling the electrical parts	
Electrical parameters	Voltage	220 V , 50 Hz, 1A
	Energy consumption	50 W
	Classification according to Directive 93/42/EEC	



Head Office: First south floor, Chehelsotoon Building, north Allameh, Saadat Abad, Tehran, IRAN

Telephone: (+98-21) 22097416-7

Fax: (+98-21) 22362814

Web: www.tosanco.com
E-mail: info@tosanco.com



Manufacture & Supply of Neonatal System

Infant Incubator

Model:111



Infant Incubator 111

Incubator for warming and intensive care of new born babies

The preterm birth the most difficult start into our world and a challenge for the physicians, nursing, staff and parents. Day by day they do their utmost to facilitate the baby's ongoing health.

The incubator 111 helps to achieve this aim. It combines the climate stability of a closed ambience with increased access and contact possibilities offered by open care systems.

In the majority of cases preterm babies can stay in the incubator in the first few months of their lives. Therefore a calm environment is an important factor for their future development. An optimum air flow guide system minimises the generation of noise in the incubator 111.



Always the right climate

Air and skin temperature, humidity and oxygen concentration are selected according to the baby's needs and are servo controlled. A brand-new air flow technique warms the patient evenly by minimising the transepidermal humidity loss.

Ergonomic design / Baby Access

The perspex double-wall assembly has four large hand port windows which can be opened quickly and easily by pressing the unlocking mechanism (also with disinfected hands). It is possible to open both hand port windows by one central pressing.

Control Panel

Innovative technology controls and monitors the selected values of air and patient temperature also humidity. The selected parameters and measured values are indicated and clearly structured with a display.

Control panel enables you to display the following parameters:

- Air Temperature
- Skin Temperature
- Humidity control
- Alarms

Temperature Adjustment



Air Temperature

20° ~ 37°



Skin Temperature

20° ~ 37°



Heat control

Using the latest technologies, the time to reach the target temperature has been reduced to less than one minute.

Also, infant chamber temperature fluctuations have been minimized with respect to ambient temperature changes.

Temperature adjustment interval for incubator air & skin temperature is between 20 – 37 °C and incubator temperature display interval is between 15 – 40 °C.

High adjustment

During care it is important to be able to adjust the appropriate height of the incubator hence by pushing the pedals on the front bottom side, the incubator height can be adjusted between 70 – 100 cm.

Infant Incubator 111

Convenient, safe, reliable



Compartment noise

Ultra low noise level (less than 50 dB) inside the compartment utilizing the latest technology in the world to design air circulation path



Tilting patient pad

By turning the wheels to the right or left, the patient pad can be adjusted into head-up or head-down position. The inclination angle is between 0 – 30 degree



Built in convenient storage

During care it is important to have necessary items available at all times. The four drawers of the incubator are accessible easily from front sides and in every situation.



Castors

Sturdy smooth castors provide a stable position of the incubator and allow easy movement. One castor is fitted with a steering lock which allows maneuvering around corners and furniture.

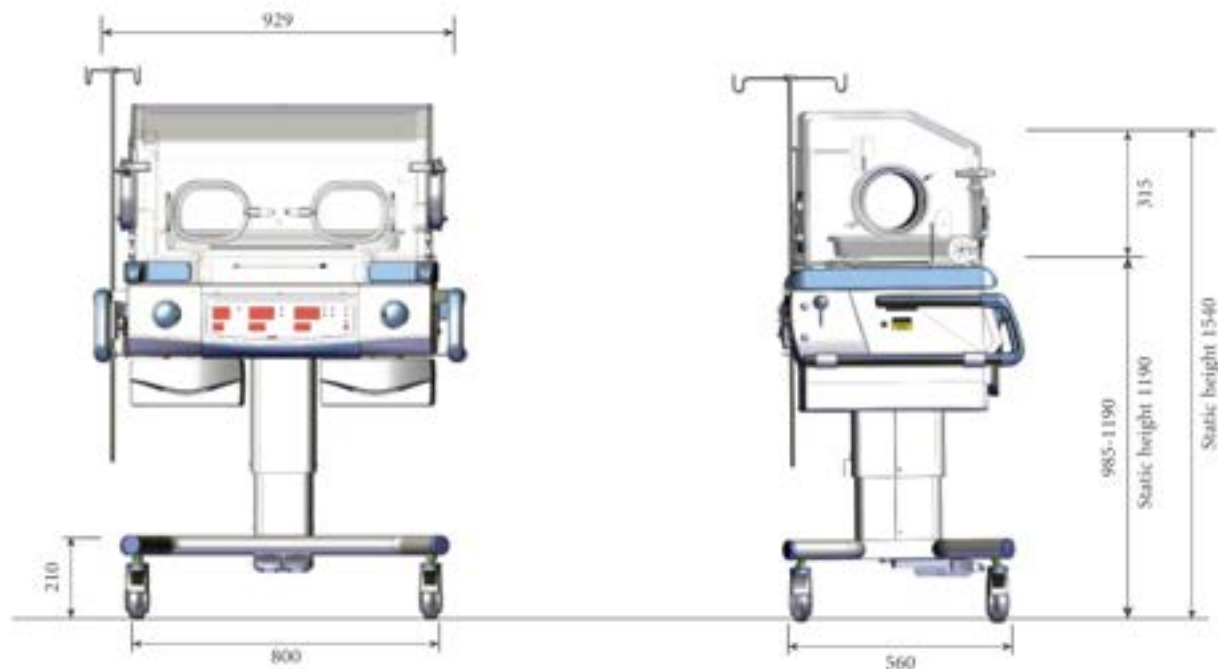


Puuled out pation pad

For special treatments the patient pad can be pulled out completely

Additional Specification

Dimensions and weight	Weight	90 Kg
	Dimension of patient deck	340 * 600 mm
	Height of patient deck	985-1190 mm
Alarms	Air sensor error	Audio and visible
	Skin sensor error	Audio and visible
	Air circulation interruption	+/- 1°C
	Power supply interruption	Audio and visible
	Temperature deviation	Audio and visible
	Low battery	visible
	Empty water reservoir	Audio and visible
Operating parameters	Skin Temperature	28 to 37.5 C
	Air Temperature	20 to 37 C Override to 39 C
	Temperature resolution	0.1 C
	Humidity Sensor controlable range	30 -90% RH
	Humidity resolution	0.1 C
	Internal noise level	Less than 48 dB
	Warm-up time	30 minutes
	Disposable filter	
Electrical parameters	Voltage	220V-2.5 A
	Energy consumption	550W
Classification according to Directive 42/93/EEC		



Head Office: First south floor, Chehelsotoon Building, north Allameh, Saadat Abad, Tehran, IRAN

Telephone: (+98-21)22097416-7

Fax: (+98-21) 22362814

Web: www.tosanco.com
E-mail: info@tosanco.com



Infant Radiant Warmer Model:083

Infant Radiant Warmer 083

The infant care system for postnatal care, resuscitation and intensive care

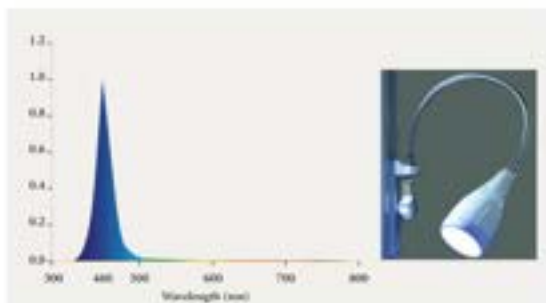
During the first hours and days of life, new born and premature infants primarily need warmth, comfort and closest possible contact to their parents. The Infant Radiant Warmer 083 has been developed for these very specific conditions and offers unimpeded access for diagnostic and therapeutic measures as well as care treatments.



Temperature Adjustment

 Skin Temperature

20° ~ 37°



Always the right climate

Skin temperature, are selected according to the baby's needs and are servo controlled. A Ceramic heating elements with high-performance reflector for quick heating technique warms the patient evenly by minimising the transepidermal humidity loss.

Control Panel

Innovative technology controls and monitors the selected values of air and patient temperature also suction. The selected parameters and measured values are indicated and clearly structured with a display. Control panel enables you to display the following parameters:

- Air Temperature
- Skin Temperature
- Air Flow
- Suction
- Alarms

Heat control

Using the latest technologies, the time to reach the target temperature has been reduced to less than 10 minute.

Also, infant ambient temperature fluctuations have been minimized with respect to ambient temperature changes.

Temperature adjustment interval for infant warmer skin temperature is between 20 - 37 ° C and infant warmer temperature display interval is between 15 - 40 ° C.

Gentle soft-lift height adjustment

Depending on the device model the height of the patient deck can be adjusted smoothly and is operated with foot pedals. The smooth movement does not startle the baby maintaining comfort.

High-performance phototherapy

The radiant warmer can optionally be upgraded with high performance phototherapy. The Tosan LED Phototherapy assures remarkably high radiation intensities within the ideal wavelength of fixed 460 nm, 12 watts power also a lifespan of 30,000 hours which provided 32µw/cm2.nm intensity. It herby is suitable for treatment of infant jaundice below 18 mg/dl. It will be put on a mobile stand for a more flexible use. Because of the low heat generation, the device can also be used at decreased distances from the babies. Even with high distance between phototherapy device and patient, a high intensity can be guaranteed.

Infant Radiant Warmer 083

Convenient, safe, reliable

Gentle warming

Longwave infrared radiation is not visible and takes smooth effect on the epidermis, the subjacent dermis and the bloodstream. The integrated high-performance reflector spreads the infrared radiation efficiently and evenly all over the patient deck. The intensity of the infrared radiation is precisely adjustable in Celsius. The radiant warmer is with patient temperature control. Radiant warmer integrated countdown timer give indication of facilitate close recording of the patients' development.



Homogeneous illumination

For treatment of small patients, the best light is just enough. The light's colour temperature of 4000 Kelvin guarantees an excellent appearance and is suitable for examinations and minor operations.

Focus on the patient

The patient deck can be tilted up and down by one hand. Each Position Radiation ensures an optimum warming comfort with the patient remaining below the radiant warmer. The baby is never exposed to temperature fluctuations. Moreover, the distance of the patient to connected monitors or devices remains the same in any position. Therefore an unintended detachment of pipes and hoses is prevented.

Functional wall assembly

The walls of the Infant Radiant Warmer 083 can be folded up and down by one hand. Cables and hoses can be passed and fixed through openings or grommets easily. Wall assembly by 170 mm high, three sides can be folded down.

Built in convenient storage

During care it is important to have necessary items available at all times. The two drawers of the Infant warmer are accessible easily from sides and in every situation.

Castors

Sturdy smooth castors provide a stable position of the infant warmer and allow easy movement. One castor is fitted with a steering lock which allows maneuvering around corners and furniture.

Additional Specification

Dimensions and weight	Weight	135 Kg
	Dimension of patient deck	780*680 mm
	Height of patient deck	875-1050 mm
Alarms	Skin sensor error	
	Skin temperature overheat	
	Temperature set deviation	+/- 2 C
	Power failure	
	Low Battery	
Operating parameters	Mechanical tray tilting	Up to 12 degree front and rear
	Heat power indicator	10% to 100%
	LED Lamps	2 * 10 Watt
	Temperature range	28 C to 39.3 C
	Controlable temperature range	28 C to 37 C
Electrical parameters	Voltage	200-240 V
	Max. power input (with max. power to sockets)	1100 W
Facility	Monitor tray	
	Radiology cassette	
	Rotary head while radiology	
	Adjustable oxygen flow	
	Adjustable suction vacume	
Classification according to Directive 93/42/EEC		



Head Office: First south floor, Chehelsotoon Building, north Allameh, Saadat Abad, Tehran, IRAN

Telephone: (+98-21) 22097416-7

Fax: (+98-21) 22362814

Web: www.tosanco.com
E-mail: info@tosanco.com



Manufacture & Supply of Neonatal System

Intensive Phototherapy

Model:222-224-225



Infant Intensive Phototherapy

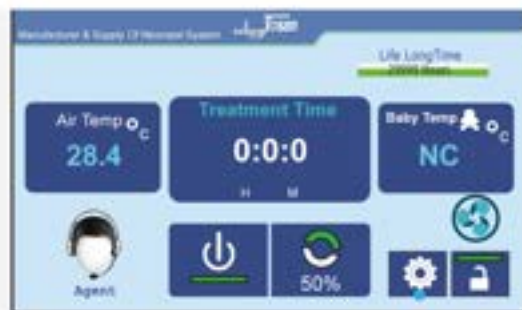
The LED phototherapy device for outstanding performance

Neonatal jaundice is a strain for both new born babies and their parents, especially in the first few days of life. A prompt therapy with shortwave, blue radiation can prevent damage to the central nervous system and ease symptoms of jaundice, thus relieving stress for everyone involved. Intensive Phototherapy LED is the outcome of a continuous product development within phototherapy, keeping in mind both the babies' health and nursing staff's needs. This assures a high performance device which is simultaneously improving the nursing situation.



Always the right climate

The apparatus by light radiation in wavelength 460 nanometer through infant skins in different and special process causes bilirubin molecule which leads to infant jaundice to be broken and evacuated through kidneys. Needed light with 460 nm wavelength by the LED lamp that have high longevity. The treatment of infant jaundice is done by light radiation in 460 wavelengths through infant skins. In this case the Tosan Company have designed intensive photo therapy which radiate light in 360 degree through infant skins consequently the time of jaundice treatment has been shorter than before and also blood changing for infants with intensive jaundice isn't needed any more. In intensive photo therapy interior temperature of enclosure and infant temperature have been measured and also the time of light therapy is adjustable. Effective lifetime light for treatment has been also measured in this apparatus. In photo therapy the infant lays in an enclosure and light radiate in all aspects to it.

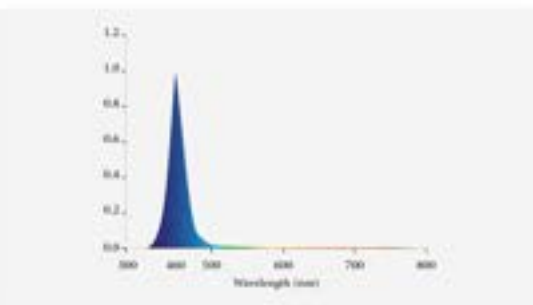


Control Panel

Innovative technology controls and monitors the selected values of Treatment time also measure skin temperature. The selected parameters and measured values are indicated and clearly structured with a display.

Control panel enables you to display the following parameters:

- Skin Temperature
- Treatment time



High-performance phototherapy

The Intensive Phototherapy with high performance phototherapy. The Tosan LED Phototherapy assures remarkably high radiation intensities within the ideal wavelength of fixed 460 nm also a lifetime of 30,000 hours which provided 32µw/cm2.nm intensity. It hereby is suitable for treatment of infant jaundice below 22 mg/dl.

Automated therapy

Tosan Intensive phototherapy operated in automated mode. it is possible to choose the therapy's duration and intensity, thus it is not necessary to turn the device on and off manually. Once the therapy duration runs out, Tosan phototherapy stops the therapy automatically.

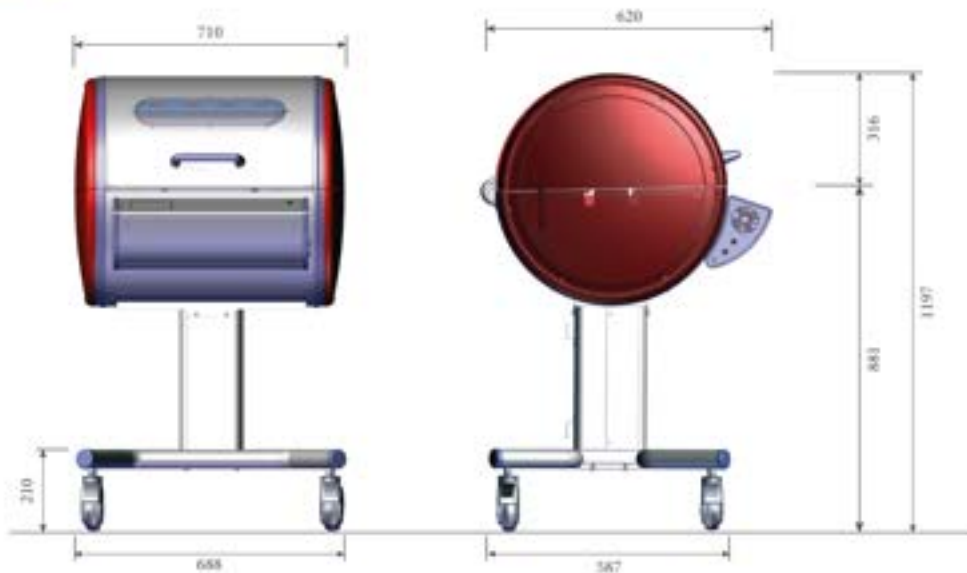


Castors

Sturdy smooth castors provide a stable position of the infant warmer and allow easy movement. One castor is fitted with a steering lock which allows maneuvering around corners and furniture.

Additional Specification

Dimensions and weight	Weight	37 Kg
	Dimension of patient deck	560 * 460 mm
	Height of patient deck	881 mm
Alarms	Fan failure	Audible and visible
	End of treatment time	Visible
	Power failure	Visible
	Overheat	Audible and visible
	Low Battery	Audible and visible
Operating parameters	LED tube	8, 12, 16 (9W)
	Code of LED	T8-600B02
	Touch screen control panel	
	Digital display	
	Digital display to measure inside and skin temperature	
	Time and date display	
	Timer for measuring the effective life of the lamps	
	Treatment time measuring	
	Adjustable LED lights	50% or 100%
	Exposure angle	360°
Inside ventilation	Fan for internal air ventilation & cooling the electrical parts	
Electrical parameters	Voltage	110 -240 VAC, 50 Hz 1.5 A
	Energy consumption	360 W
Classification according to Directive 93/42/EEC		



Head Office: First south floor, Chehelsotoon Building, north Allameh, Saadat Abad, Tehran, IRAN

Telephone: (+98-21)22097416-7

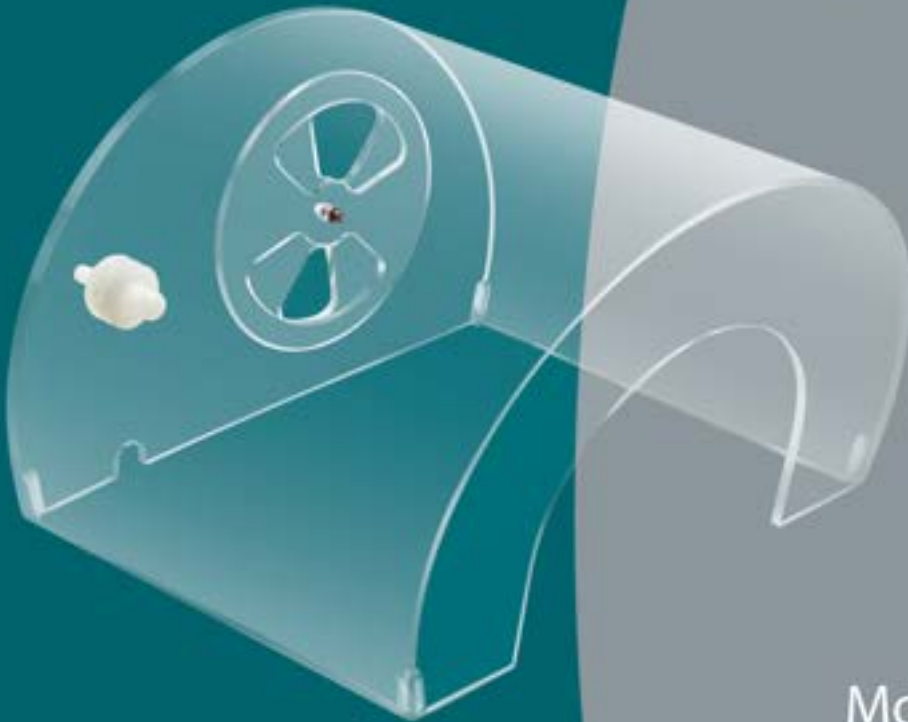
Fax: (+98-21) 22362814

Web: www.tosanco.com
E-mail: info@tosanco.com

توسان Tosan

Manufacture & Supply of Neonatal System

Oxygen Hood



Model:041

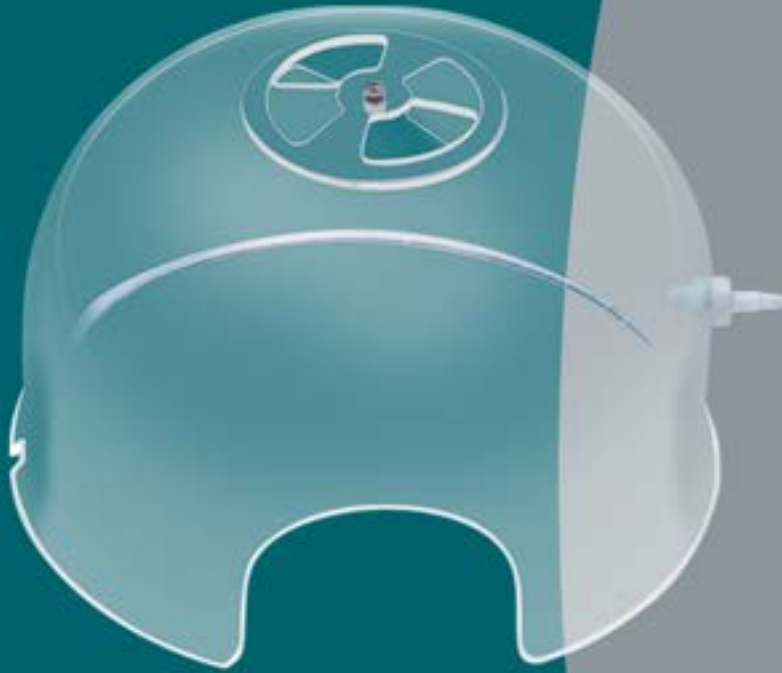
Model:042



توسان Tosan

Manufacture & Supply of Neonatal System

Oxygen Hood



Model:044

Model:047



Infant Oxygen Hood

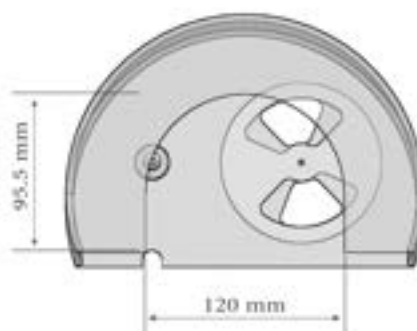
Convenient, safe, reliable

During the first hours and days of life, new born with heart or lung problems may need to breathe increased amount of oxygen to get normal levels of oxygen in their blood. The Tosan Oxygen Hoods has been developed for these very specific conditions and oxygen therapy provides Neonatal with extra oxygen.

Additional Specification

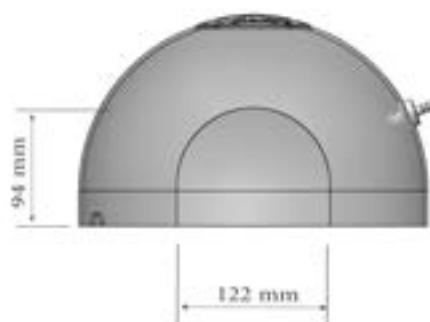
Oxygen Hood Model 041

Dimensions and weight	Weight	530 g
	Compartment volume	4.5 Litter
	Crater height	95.5 mm
	Crater width	120 mm



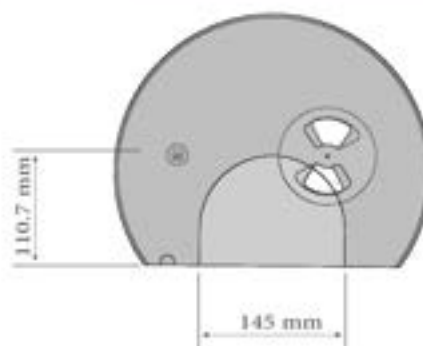
Oxygen Hood Model 042

Dimensions and weight	Weight	340 g
	Compartment volume	6.5 Litter
	Crater height	94 mm
	Crater width	122 mm



Oxygen Hood Model 044

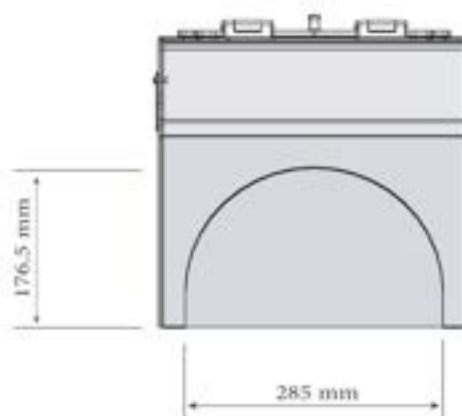
Dimensions and weight	Weight	1000 g
	Compartment volume	12.3 Litter
	Crater height	110.70 mm
	Crater width	145 mm



Oxygen Hood Model 047

Dimensions and weight	Weight	1200 g
	Compartment volume	5 Litter
	Crater height	176.50 mm
	Crater width	285 mm

Classification according to Directive 93/42/EEC



Head Office: First south floor, Chehelsotoon Building, north Allameh, Saadat Abad, Tehran, IRAN

Telephone: (+98-21) 22097416-7

Fax: (+98-21) 22362814

Web: www.tosanco.com
E-mail: info@tosanco.com

Transport Incubator

Model:320



Infant transport Incubator 320

Incubator for warming and intensive care of new born babies during transporting

The transport preterm birth from one hospital to another is the most difficult start into our world and a challenge for the physicians, nursing, staff and parents. Day by day they do their utmost to facilitate the baby's ongoing health.

The transport incubator 320 helps to achieve this aim. It combines the climate stability of a closed environment with increased access and contact possibilities offered by open care systems.

In the majority of cases preterm babies can stay in the transport incubator in the first few months of their while need to transport. Therefore a calm environment is an important factor for their future development. An optimum air flow guide system minimizes the generation of noise in the portable



Always the right climate

Air and skin temperature are selected according to the baby's needs and are servo controlled. A brand-new air flow technique warms the patient evenly by minimizing the transepidermal humidity loss.



Monitor / operator terminal

Innovative technology controls and monitors the selected values of air and patient temperature oxygen concentration. The selected parameters and measured values are indicated and clearly structured with a graphic display. 4.3 inch graphics display with touchscreen that enables you to display the following parameters:

- Air & Skin Temperature
- Battery life & Charge level
- Alarms
- Cabin lighting
- Phototherapy
- Setting

Temperature Adjustment

Air Temperature
 $20^{\circ} \sim 37^{\circ}$

Skin Temperature
 $20^{\circ} \sim 37^{\circ}$

Heat control

Using the latest technologies, the time to reach the target temperature has been reduced to less than one minute.

Also, infant chamber temperature fluctuations have been minimized with respect to ambient temperature changes.

Temperature adjustment interval for incubator air & skin temperature is between $20 - 37^{\circ} \text{C}$ and incubator temperature display interval is between $15 - 40^{\circ} \text{C}$.

Ergonomic design / Baby Access

The front and rear doors are easily open for easy access to the baby and stabilized in place after V° degrees of rotation also the front and rear doors has four large hand port windows which can be opened quickly and easily by pressing the unlocking mechanism (also with disinfected hands). It is possible to open both hand port windows by one central pressing.



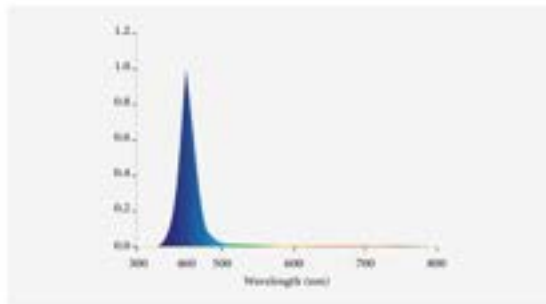
Infant Transport Incubator 320

Convenient, safe, reliable



Compartment noise

Ultra low noise level (less than 50 dB) inside the compartment utilizing the latest technology in the world to design air circulation path



Phototherapy

Portable Incubator 320 has a phototherapy system for treating neonatal jaundice under 18 mg in the hospital, during transport, or in an ambulance.

- Wavelength of 450 nm
- Power of 12 watts
- life of 30 thousand hours.



Lighting inside the compartment

The LED light bulb with 3000 kW power of 2 watts is used in portable incubator 320.

These lamps have natural brightness for the treatment of infants, which can also show the true color of the baby's skin in the dark.



oxygen tank

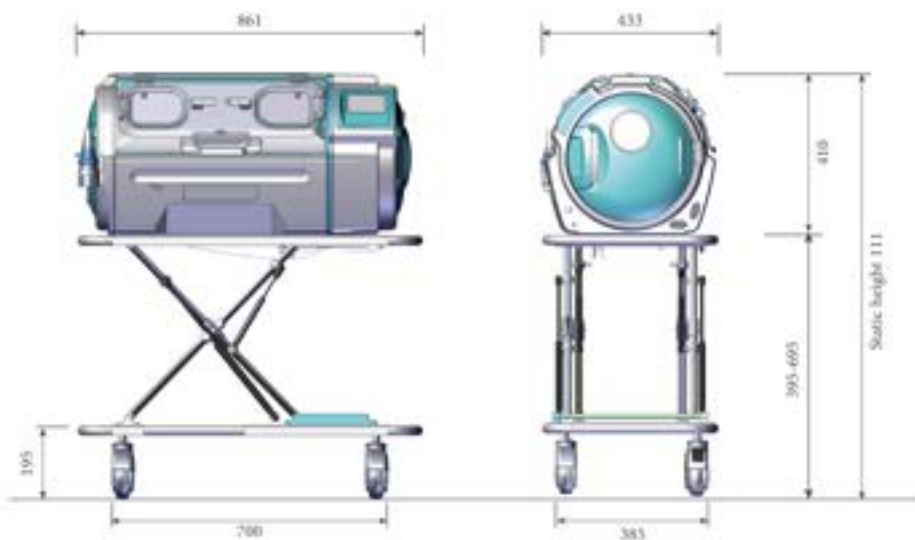
The incubator uses three different types of power supply for different conditions.

- AC power supply
- Built-in battery
- 12V DC External Power Supply.

All 3 power supply models meet EMC standards.

Additional Specification

Dimensions and weight	Weight	41 Kg
	Dimension of patient deck	300 * 500 mm
Alarms	Air sensor error	Audible and visible
	Skin sensor error	Audible and visible
	Air circulation interruption	Audible and visible
	Power supply interruption	Audible and visible
	Temperature deviation	Audible and visible
	Low battery	Audible and visible
Operating parameters	LCD touch screen	3 inch touchscreen graphics display
	Oxygen tank	2 liter
	Intelligence battery	3 hours to fully charge the battery
	Air temperature	28 - 37°c
	Skin temperature	33 - 38.5°c
	Inside noise level	< 40dB
	Cabin light	3000 KW 2W
Phototherapy	450nm 12W	
Electrical parameters	Voltage AC Power & Energy consumption	100-120 VAC 50-60 Hz 177 W
	Voltage AC Power & Energy consumption	200-240 VAC 50-60 Hz 177 W
	Voltage DC(EMS) & Energy consumption	12 VDC 150 W
Classification according to Directive 93/42/EEC		



Head Office: First south floor, Chehelsotoon Building, north Allameh, Saadat Abad, Tehran, IRAN

Telephone: (+98-21)22097416-7

Fax: (+98-21) 22362814

Web: www.tosanco.com
E-mail: info@tosanco.com